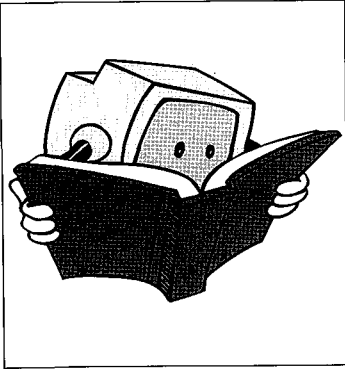


HITACHI

No. X831455



**INFORMATION
INFORMATION
INFORMATION**

CAUTION:

Before servicing this chassis, it is important that the service technician read the "Safety Precautions" and "Product Safety Notices" in this service manual.

ATTENTION:

Avant d'effectuer l'entretien du châssis, le technicien doit lire les "Précautions de sécurité" et les "Notices de sécurité du produit" présentés dans le présent manuel.

VORSICHT:

Vor Öffnen des Gehäuses hat der Service-Ingenieur die "Sicherheitshinweise" und "Hinweise zur Produktsicherheit" in diesem Wartungshandbuch zu lesen.

©25761TN
©25761TN
©25771TN
©29751TN
©29761TN
©29771TN
©L25761TAN
©L29761TAN
©P25761TAN
©P29761TAN
©28800

Data contained within this Service manual is subject to alteration for improvement.

Les données fournies dans le présent manuel d'entretien peuvent faire l'objet de modifications en vue de perfectionner le produit.

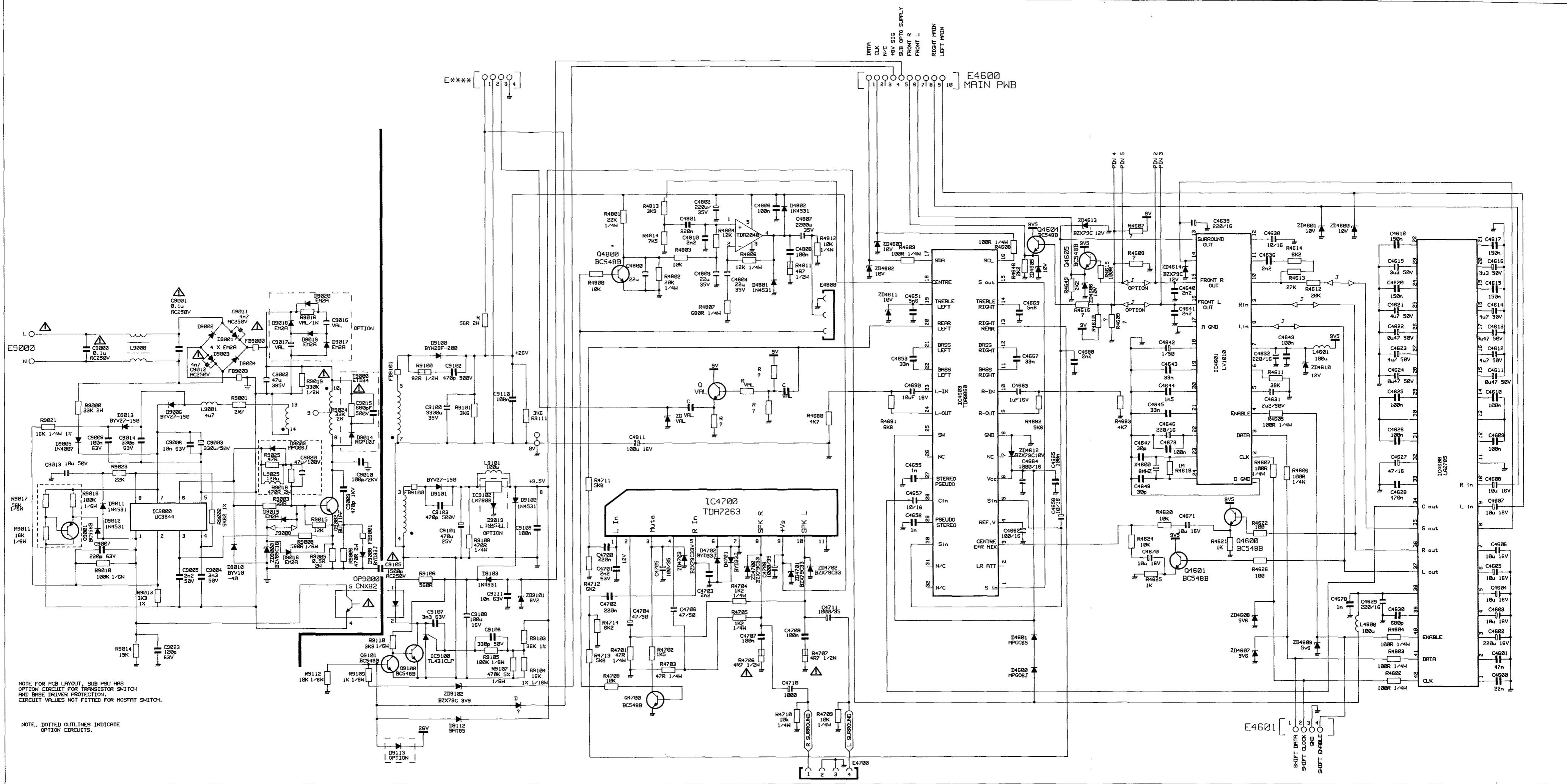
Die in diesem Wartungshandbuch enthaltenen Spezifikationen können sich zwecks Verbesserungen ändern.



(

(



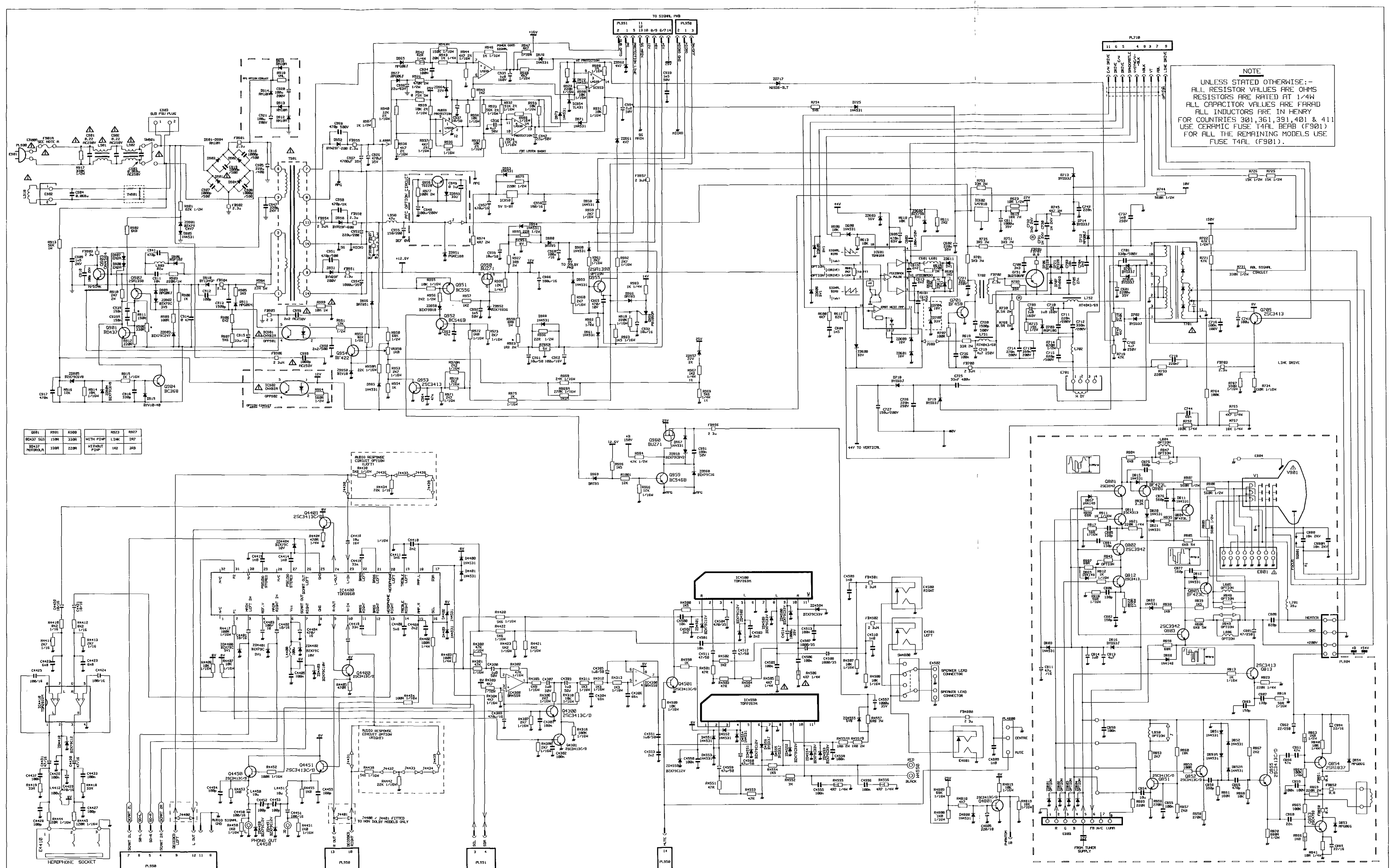


NOTE FOR PCB LAYOUT, SUB PSU HAS OPTION CIRCUIT FOR TRANSISTOR SWITCH AND BRIDGE DRIVER PROTECTION. CIRCUIT VALUES NOT FITTED FOR MOSFET SWITCH.

NOTE. DOTTED OUTLINES INDICATE OPTION CIRCUITS.

DOLBY SUB POWER PWB
SOUS-CCI DE PUISSANCE DOLBY
DOLBY-UNTERPLATINE



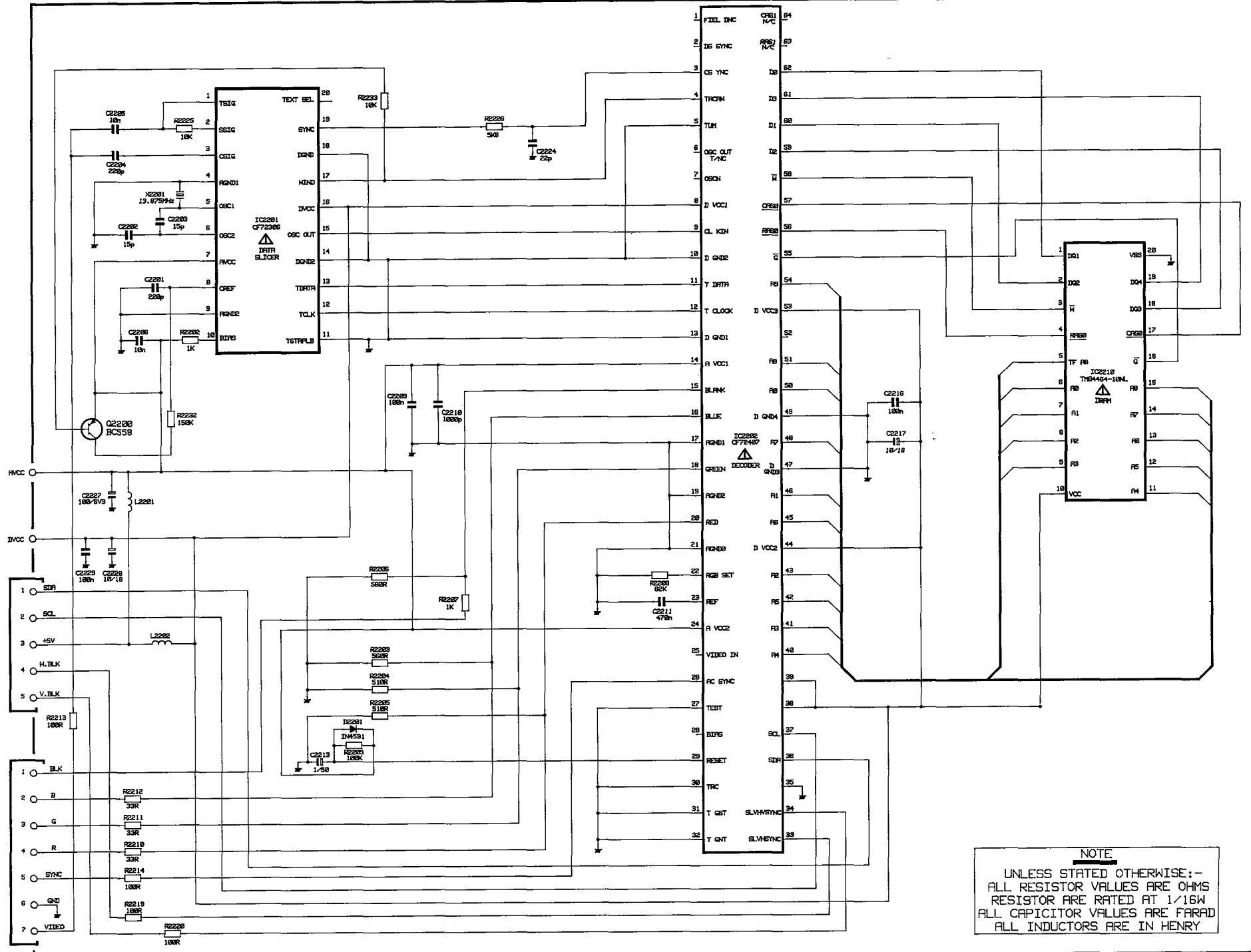


NOTE
 UNLESS STATED OTHERWISE:-
 ALL RESISTOR VALUES ARE OHMS
 ALL CAPACITOR VALUES ARE FARAD
 ALL INDUCTORS ARE IN HENRY
 FOR COUNTRIES 301, 361, 391, 401 & 411
 USE CERAMIC FUSE T4AL BEAR (F901)
 FOR ALL THE REMAINING MODELS USE
 FUSE T4AL (F901).

Q81	R91	R90	R93	R97
BQ47	50K	33K	WITH PINF	2K7
BQ47	33K	22K	WITHOUT	1K2
707000A	33K	22K	PINF	3K5

**C2977/76TN CL/CP2976TA/TAN CL/CP2975TAN C252976TA POWER DEFLECTION
 DEVIATION DE PUISSANCE C2977/76TN CL/CP2976TA/TAN CL/CP2975TAN C252976TA
 C2977/76TN CL/CP2976TA/TAN CL/CP2975TAN C252976TA STROMVERSORGUNG ABLENKSTUFE**

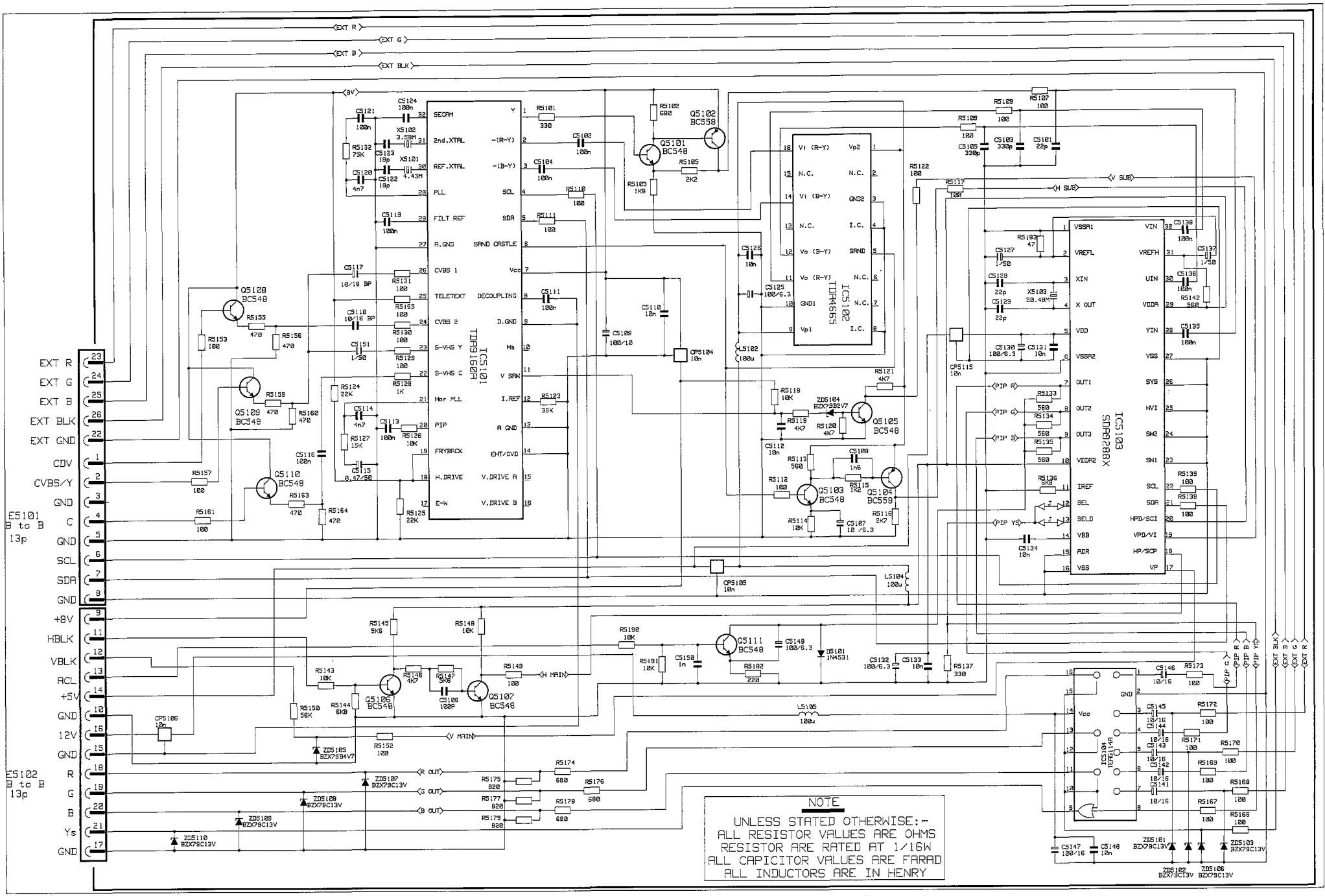
TELETEXT CIRCUIT DIAGRAM
 DIAGRAMME DE CIRCUIT TELETEXTE
 TELETEXT SCHALTPLAN



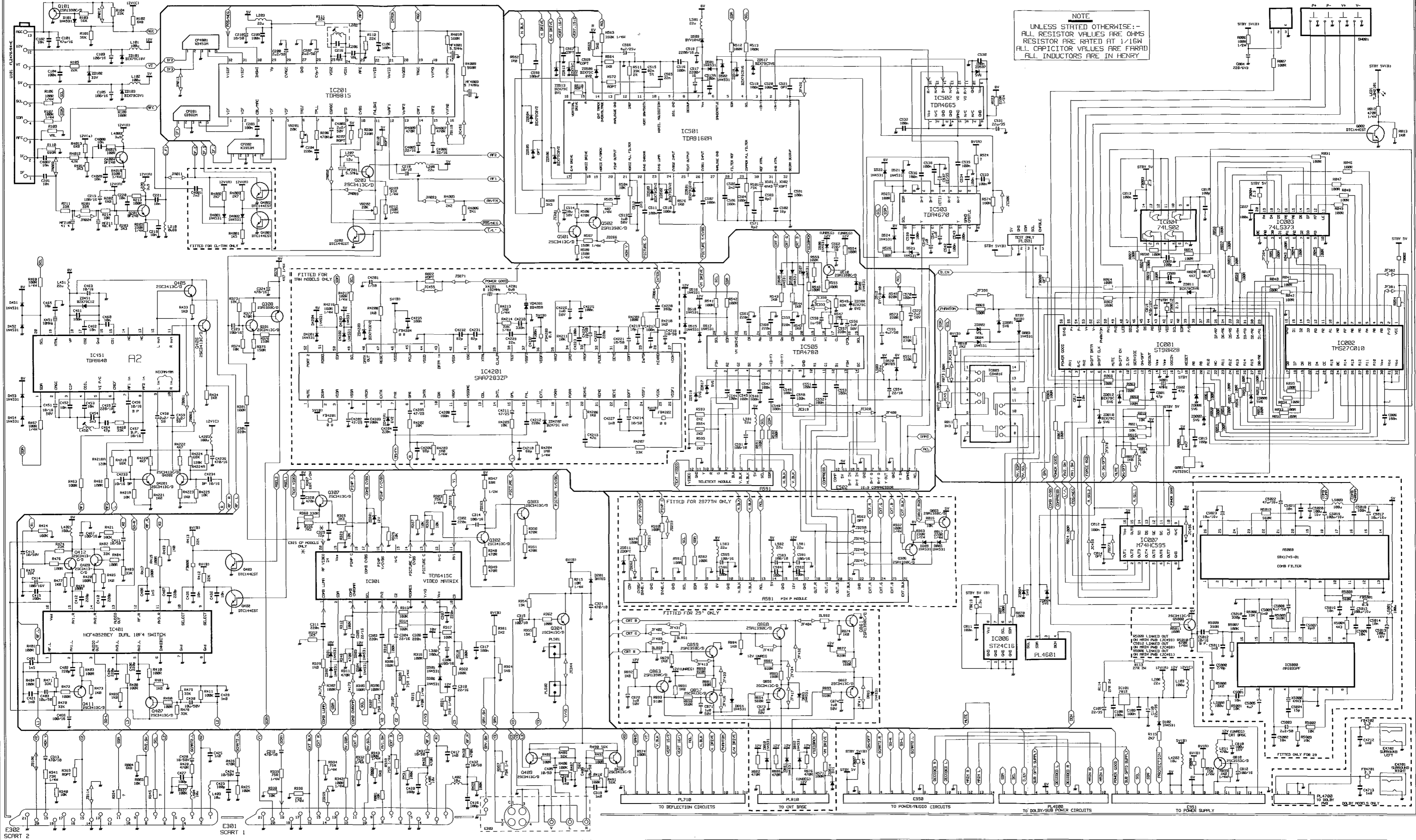
NOTE
 UNLESS STATED OTHERWISE:-
 ALL RESISTOR VALUES ARE OHMS
 RESISTOR ARE RATED AT 1/16W
 ALL CAPACITOR VALUES ARE FARAD
 ALL INDUCTORS ARE IN HENRY



PICTURE IN PICTURE CIRCUIT DIAGRAM
 DIAGRAMME DE CIRCUIT IMAGE DANS L'IMAGE
 BILD-IM-BILD-SCHALTPLAN



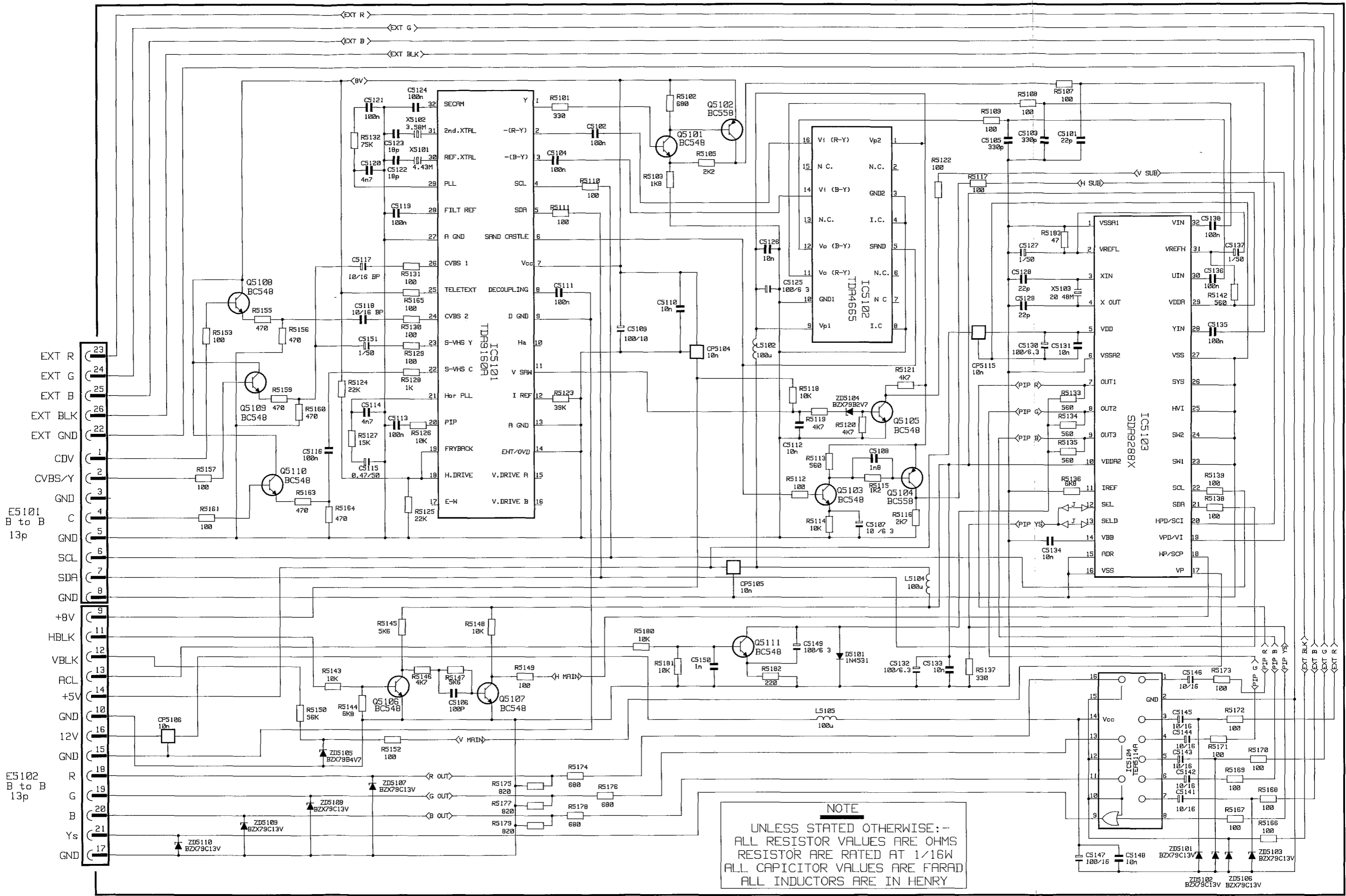
NOTE
 UNLESS STATED OTHERWISE:--
 ALL RESISTOR VALUES ARE OHMS
 RESISTOR ARE RATED AT 1/16W
 ALL CAPACITOR VALUES ARE FARAD
 ALL INDUCTORS ARE IN HENRY



NOTE
UNLESS STATED OTHERWISE:-
ALL RESISTOR VALUES ARE OHMS
RESISTOR ARE RATED AT 1/16W
ALL CAPACITOR VALUES ARE FARAD
ALL INDUCTORS ARE IN HENRY

E302 SCART 2
E301 SCART 1

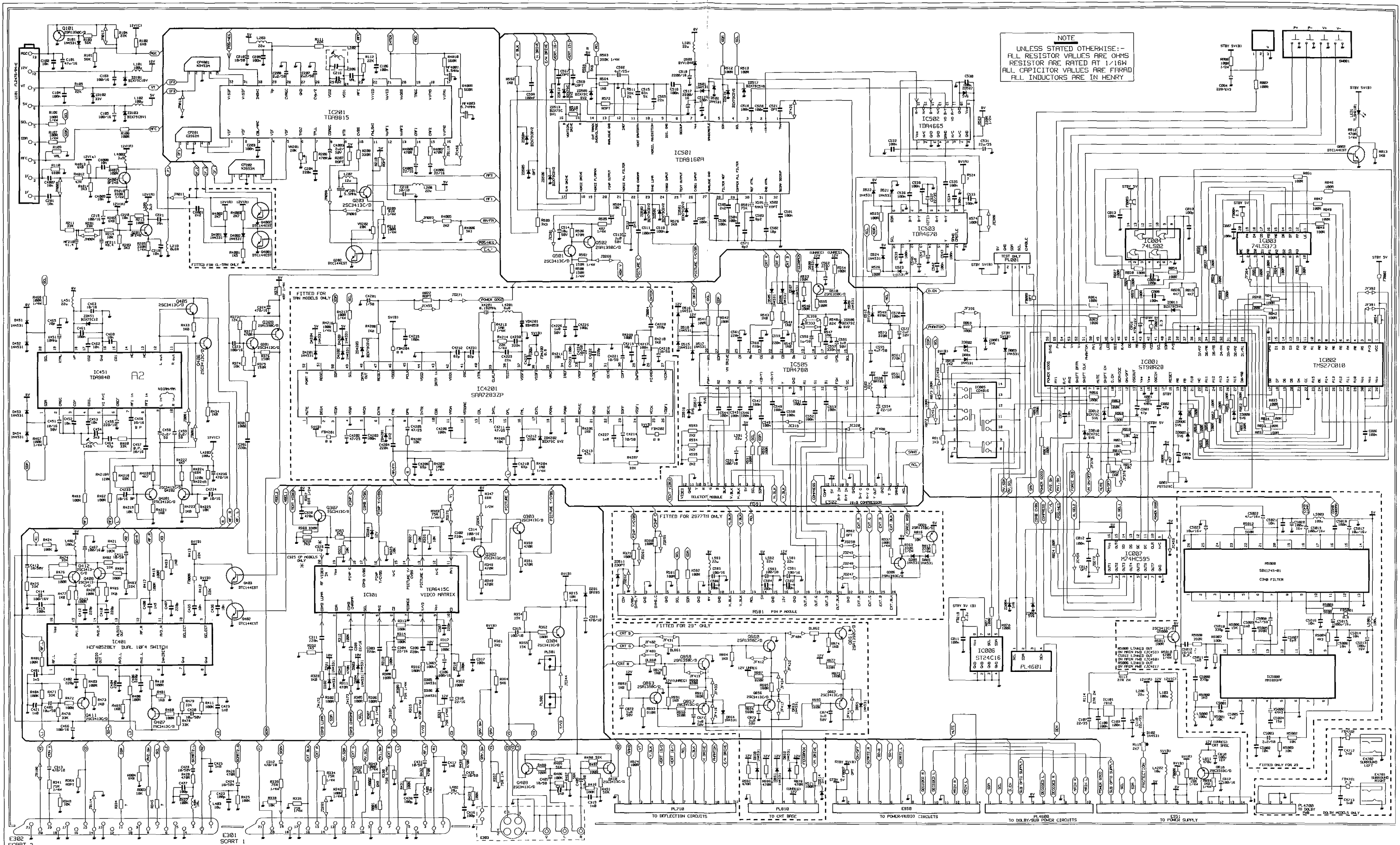
C2576/77TN-311 CP2576TAN-301/351 CP2576TAN-331/381 SIGNAL PWB
CCI C2576/77TN-311 CP2576TAN-301/351 CP2576TAN-331/381 SIGNAUX
C2576/77TN-311 CP2576TAN-301/351 CP2576TAN-331/381 SIGNALSCHALTKREIS



NOTE
 UNLESS STATED OTHERWISE:-
 ALL RESISTOR VALUES ARE OHMS
 RESISTOR ARE RATED AT 1/16W
 ALL CAPACITOR VALUES ARE FARAD
 ALL INDUCTORS ARE IN HENRY

C2576TN-311 C2577TN-311 C2976TN-311 C2977TN-311 SIGNAL CIRCUIT
 CIRCUIT DE SIGNAUX C2576TN-311 C2577TN-311 C2976TN-311 C2977TN-311
 C2576TN-311 C2577TN-311 C2976TN-311 C2977TN-311 SIGNALSCHALTKEIS





NOTE
 UNLESS STATED OTHERWISE: -
 ALL RESISTOR VALUES ARE OHMS
 RESISTOR ARE RATED AT 1/16W
 ALL CAPACITOR VALUES ARE FARAD
 ALL INDUCTORS ARE IN HENRY

CL/CP 25/2976TAN 2976TA 2975TAN 2976TA SIGNAL CIRCUIT
 CIRCUIT DE SIGNAUX CL/CP 25/2976TAN 2976TA 2975TAN 2976TA
 CL/CP 25/2976TAN 2976TA 2975TAN 2976TA SIGNALSCHALTKEIS